


PRODUCT SHEET

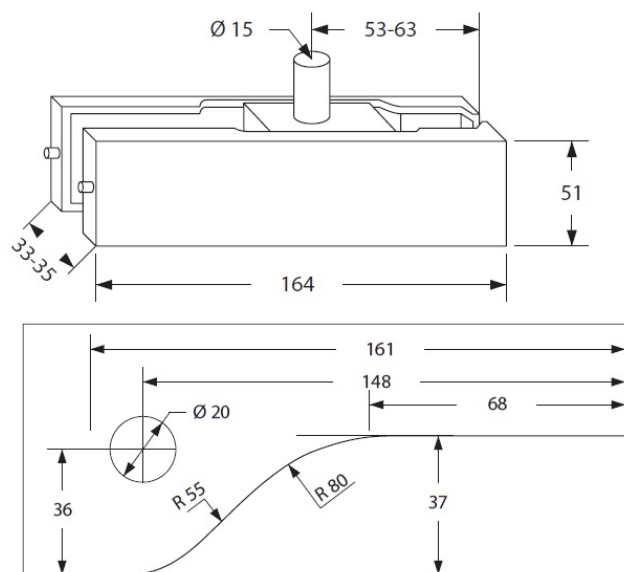
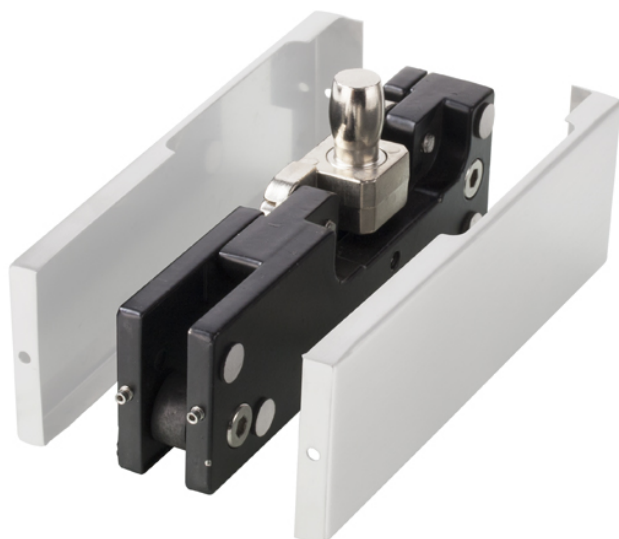
Description:

Zamak Body F/"Zip"(PF30) Overpanel Fitting, W/O Cover Plates

Item number:

17.87.352-0

Units	Box	Carton	HS Code	Barcode
Pcs.		20	8302415000	
				5704866462891



SISO A/S

Mileparken 11
DK-2740 Skovlunde
Denmark
VAT: DK 24786013

Phone +45 45 830 900

www.siso.dk
siso@siso.dk

Danske Bank
Nytorv Branch
Copenhagen
SWIFT: DABADKKK

Account no.
4180 3112 112936
IBAN Account
DK7230003112112936